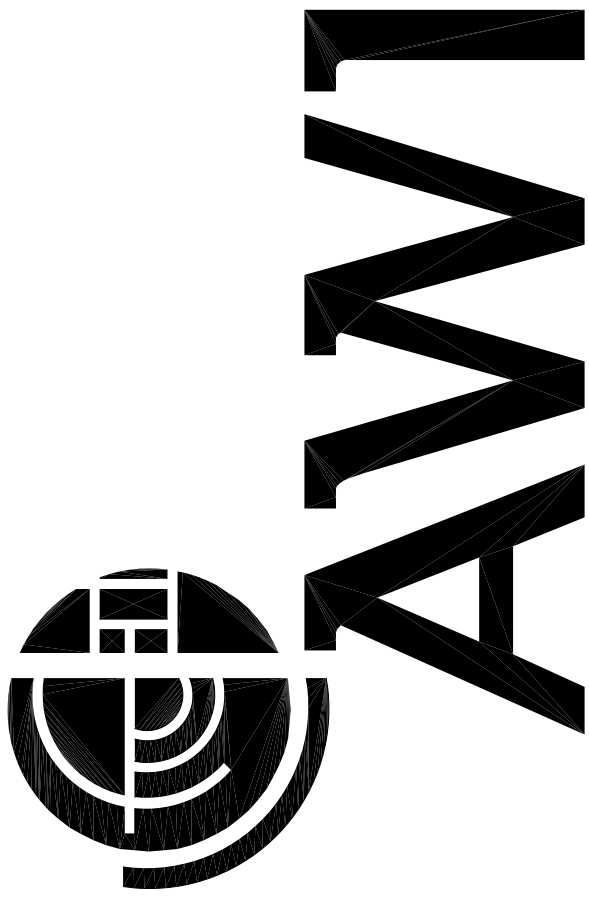


SkillsUSA

2010 Contest Projects

Cabinetmaking

Click the “Print this Section” button above to automatically print the specifications for this contest. Make sure your printer is turned on before pressing the button.



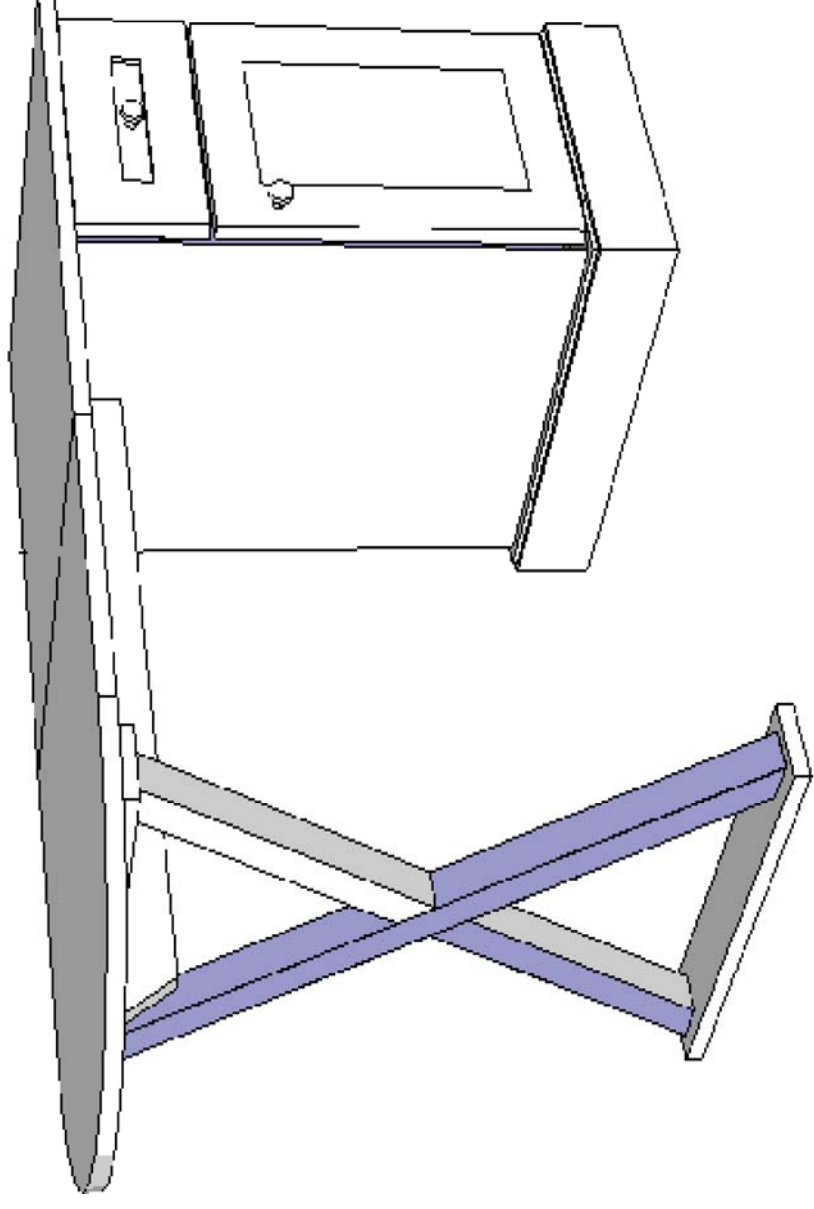
ARCHITECTURAL WOODWORK INSTITUTE

CONTRIBUTING AWI MANUFACTURING MEMBER COMPANIES

ALLEN MILLWORK CO. - WICHITA, KS
FREMONT INTERIORS, INC. - CARMEL, IN
OHIO VALLEY DOOR CO. - NEW ALBANY, IN
SALINA PLANING MILL, INC. - SALINA, KS
LOUISVILLE LUMBER & MILLWORK - LOUISVILLE, KY
ROWLAND WOODWORKING, INC. - HIGH POINT, NC
TECHNIQUE MANUFACTURING, INC - HUTCHINSON, KS
CHISHOLM ARCHITECTURAL MILLWORK, INDIANAPOLIS, IN
GILLPATRICK WOODWORKS, KANSAS CITY, MO

THE FOLLOWING COMPANIES HAVE GENEROUSLY PROVIDED MATERIALS AND MACHINERY FOR THIS CONTEST

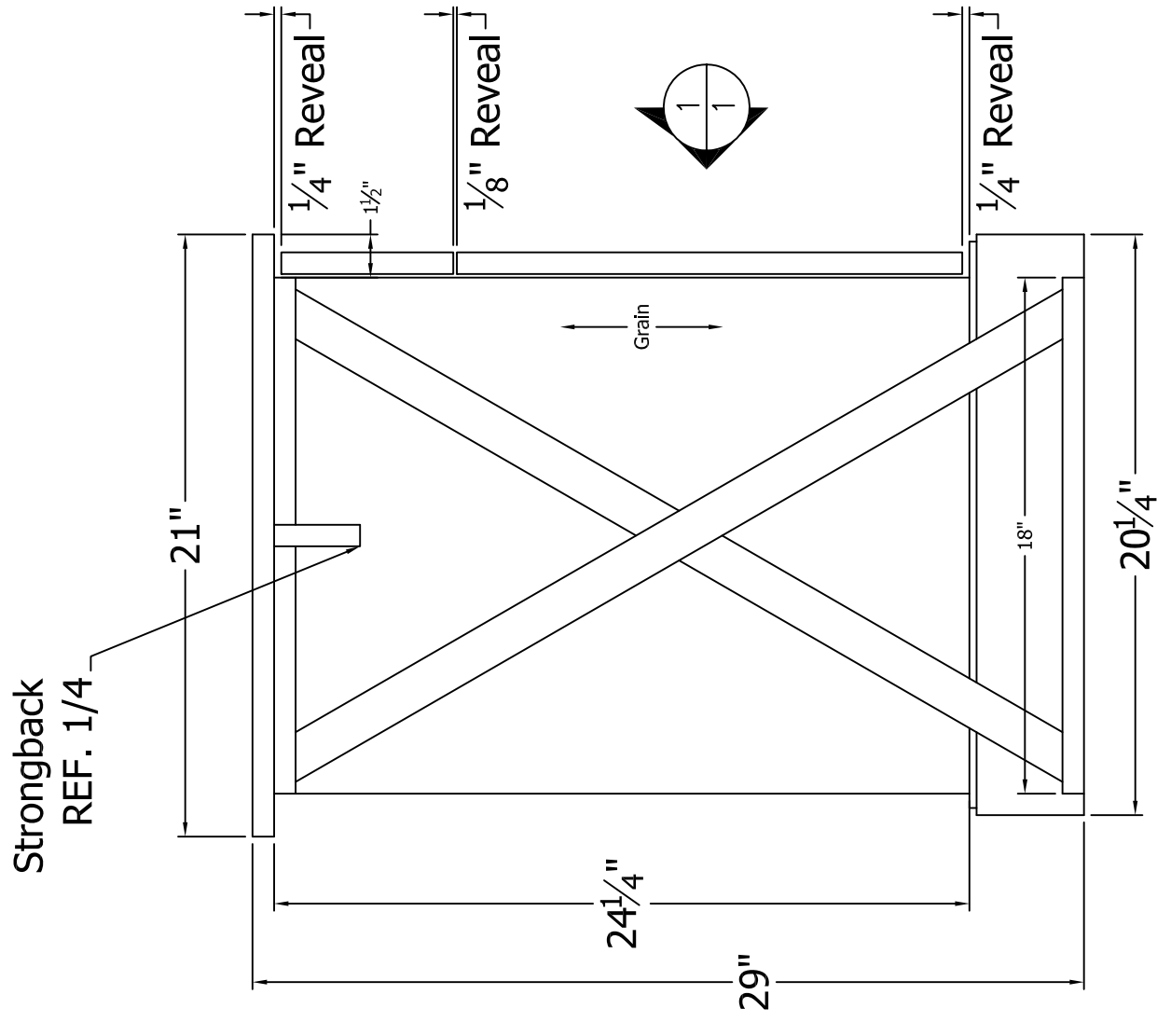
BLUM - KANSAS CITY, KS
COLUMBIA FOREST PRODUCTS
LOWES
LIBERTY HARDWOODS, INC. - KANSAS CITY, MO
KOETTER WOODWORKING, INC. - BORDEN, IN
FLEXIBLE MATERIALS - JEFFERSONVILLE, IN
THE COURTER COMPANY - INDIANAPOLIS, IN
WILSONART DECORATIVE LAMINATES
AMERICAN PACKAGING CORP.
DEWALT POWER TOOLS
PORTER-CABLE POWER TOOLS
IRWIN INDUSTRIAL TOOLS
SAWSTOP TABLE SAWS
DISTRIBUTORS SERVICES, INC.
HOOD DISTRIBUTION, McEWEN GROUP
OVERLAND TOOL, INC. - KANSAS



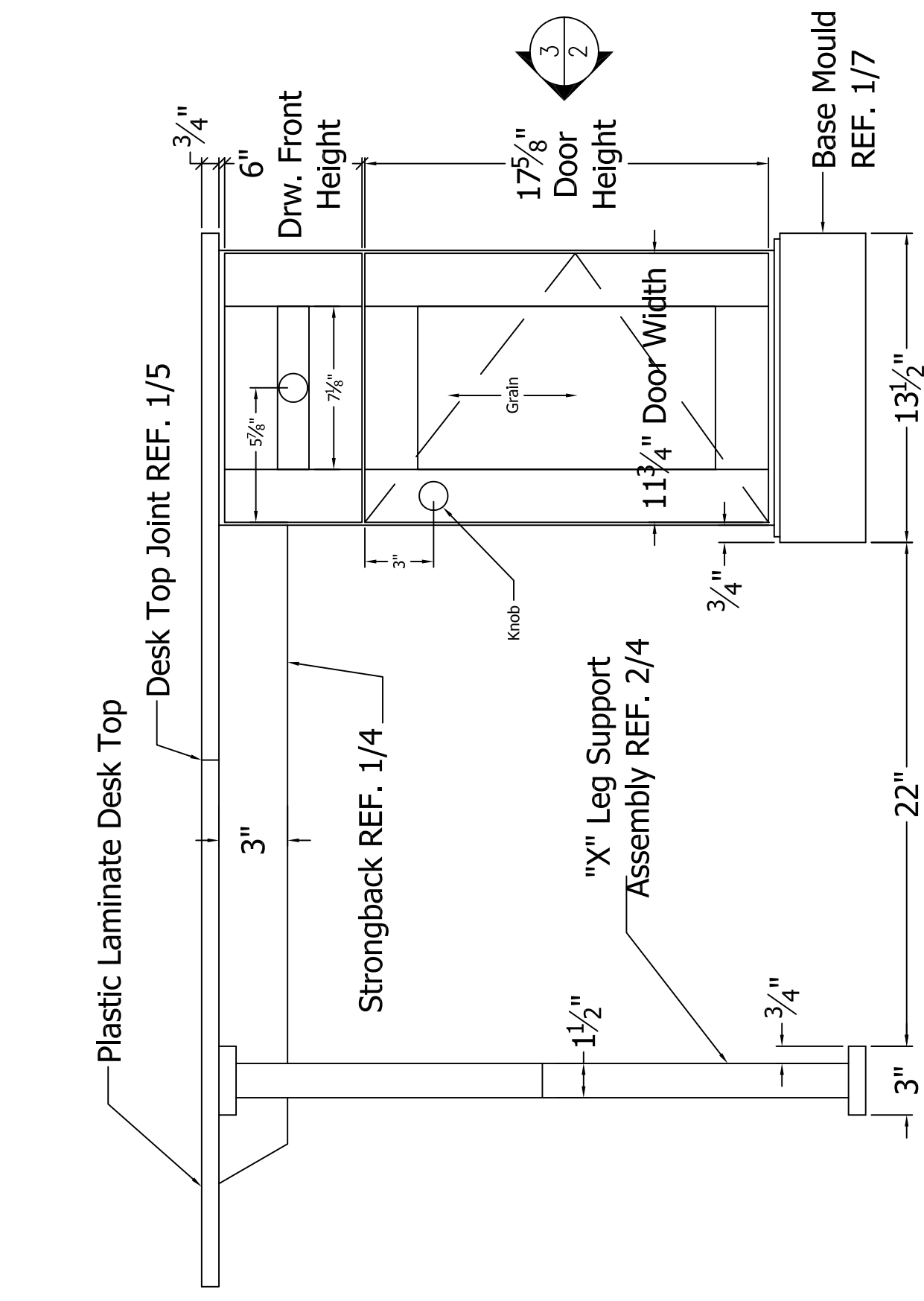
2010 SkillsUSA

NATIONAL CONTEST

DATE: JUNE 24, 2010	SHEET NO:
DRAWN BY: RKG	SCALE: NA
TITLE: KNOCK-DOWN LAPTOP DESK	



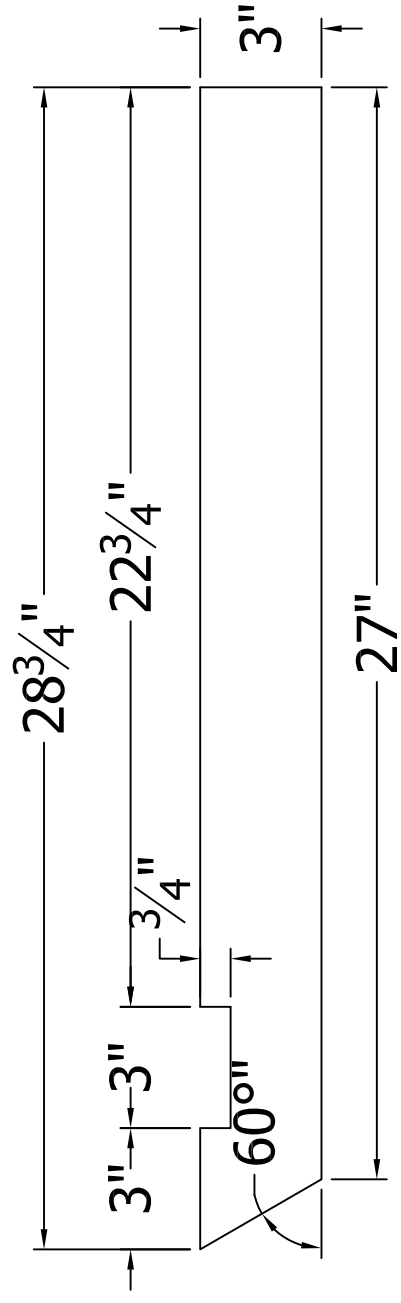
FRONT ELEVATION 1 Scale: NA



LEFT SIDE ELEVATION 2 Scale: NA

2010 SkillsUSA	
NATIONAL CONTEST	
DATE: JUNE 24, 2010	SHEET NO: 1
DRAWN BY: RKG	SCALE: NA
TITLE: FRONT & SIDE ELEVATIONS	

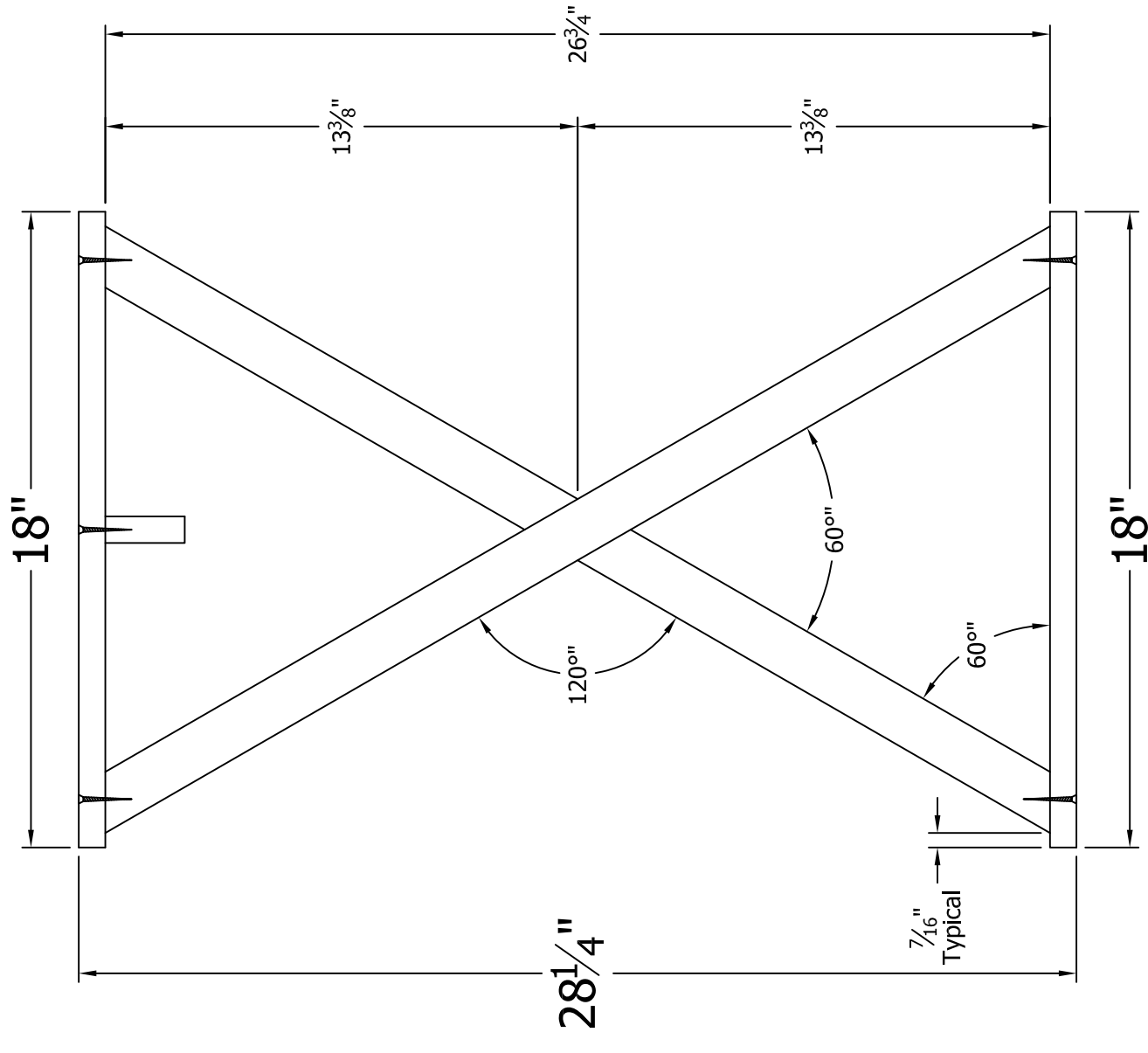




STRONGBACK DETAIL 1
Scale: NA

GENERAL NOTES:

- 1.) Machine interlocking half lap joint on "X" legs.
- 2.) Use router fixture to machine joint.
- 3.) Strongback connects to cabinet and "X" support top plate with 1 1/2" screws.
- 4.) Use router fixture for NOTCH in strongback.



"X" LEG SUPPORT DETAIL 2
Scale: NA



2010 SkillsUSA

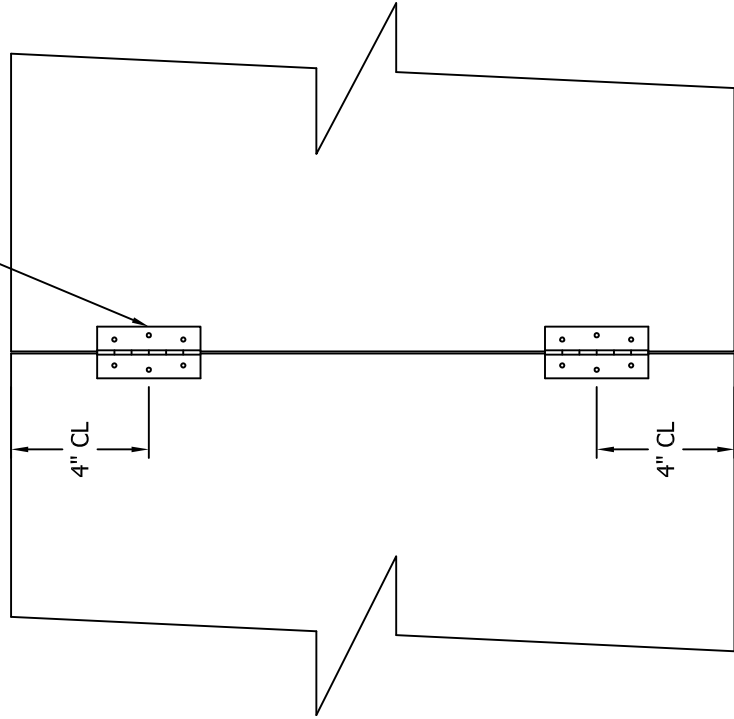
NATIONAL CONTEST

DATE: JUNE 24, 2010 SHEET NO: 4

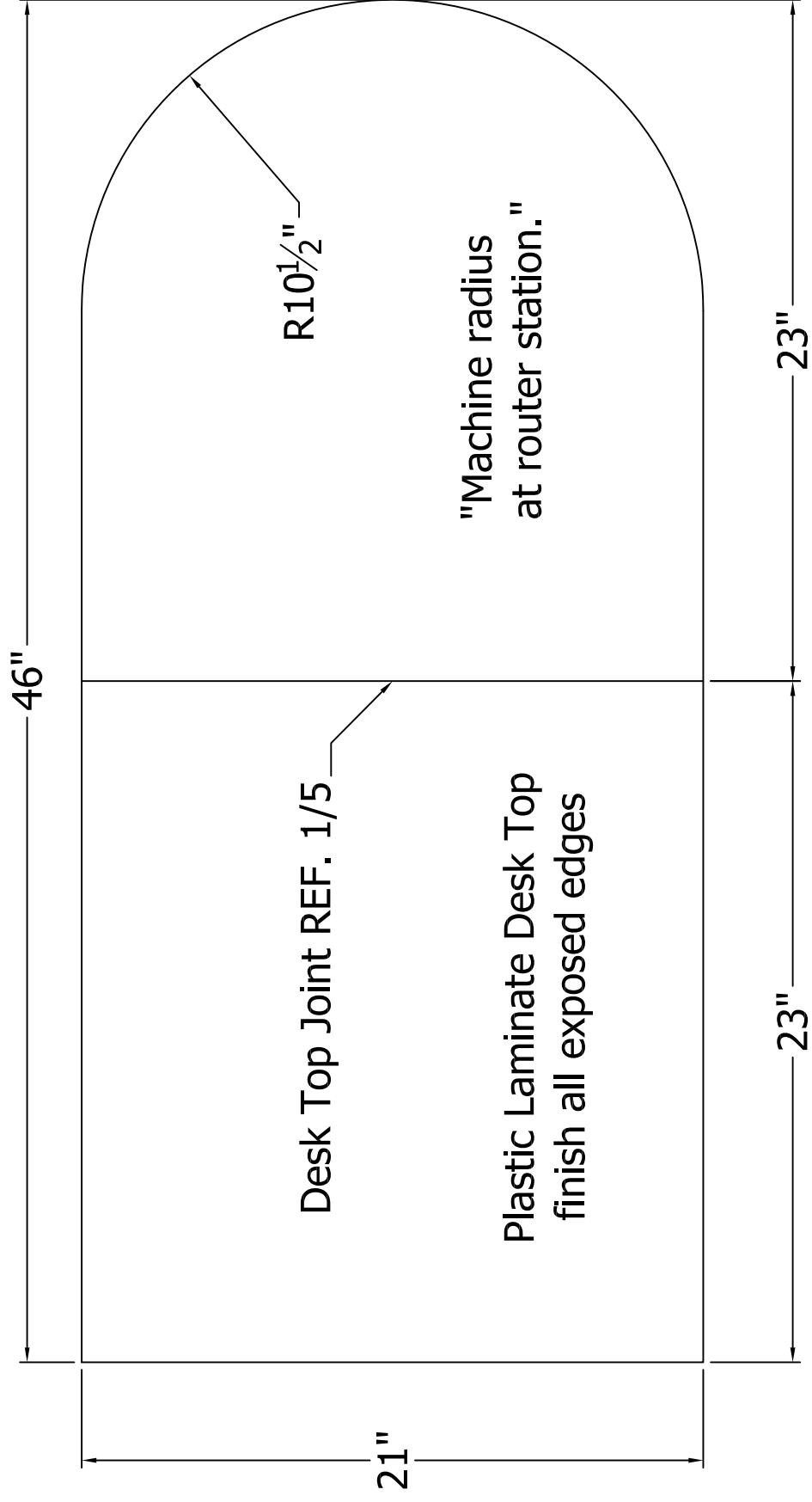
DRAWN BY: RKG SCALE: 3"=1'-0"

TITLE: SIDE & BACK MACHINING

3" Butt hinge surface mounted over joint
 Allow 1/16" gap for hinge clearance!

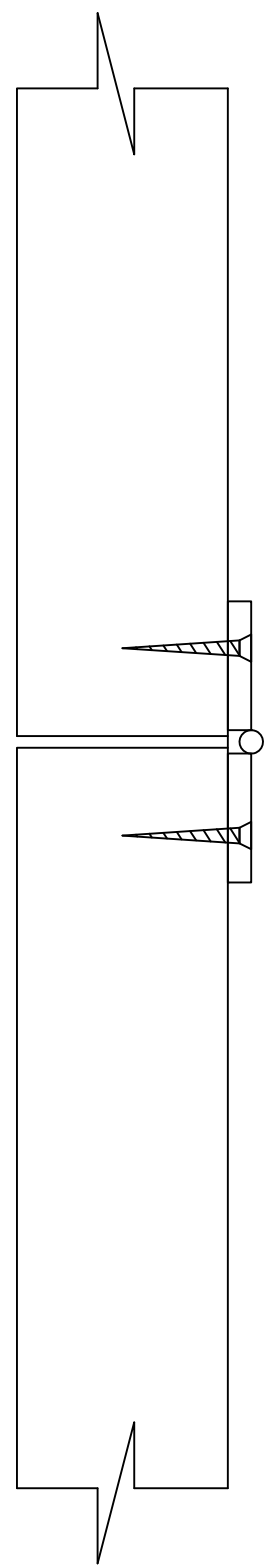


HINGE LOCATIONS 1
 Scale: NA



NOTE: Dimensions are "core measurements"

COUNTER TOP PLAN VIEW 1
 Scale: NA

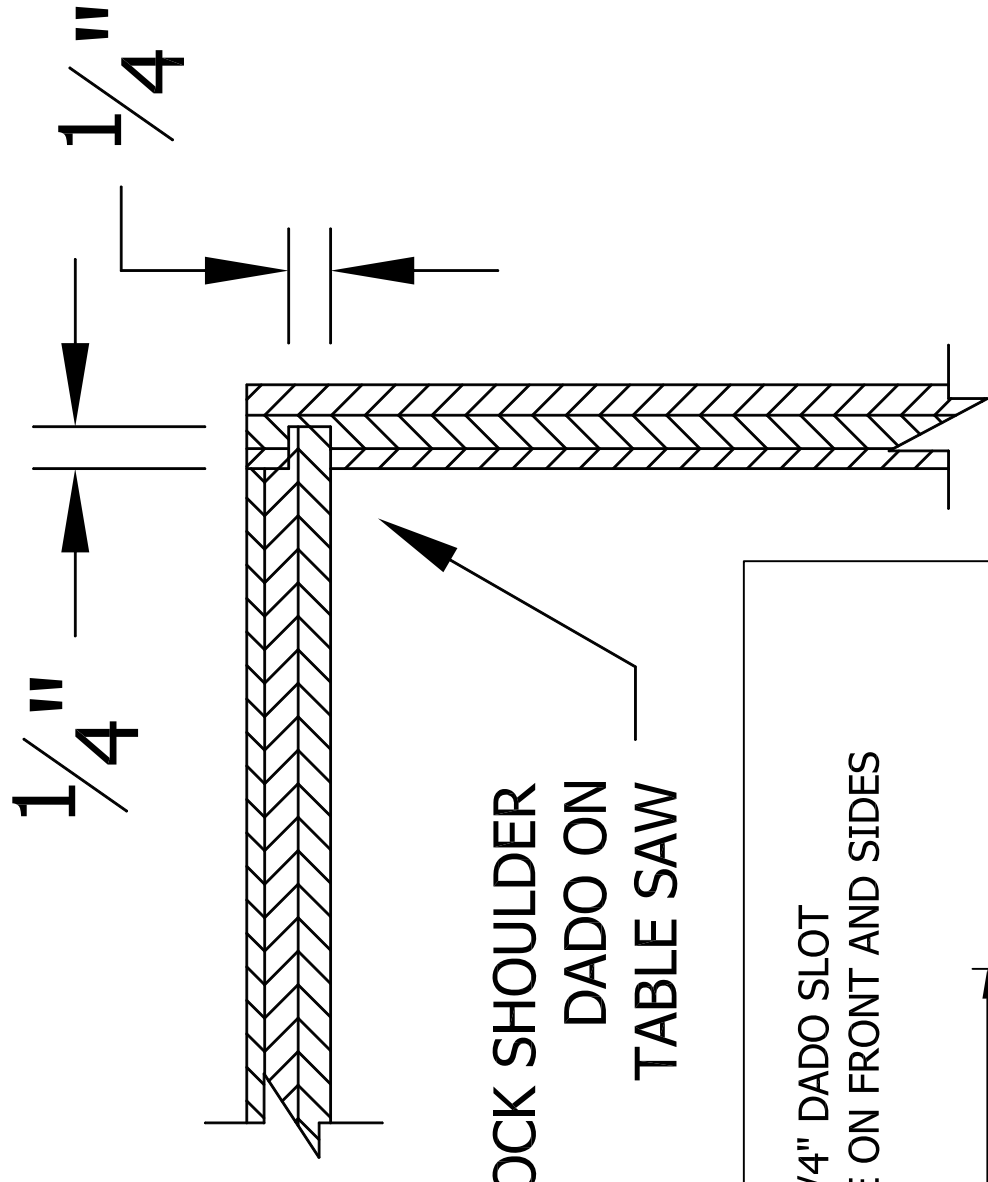
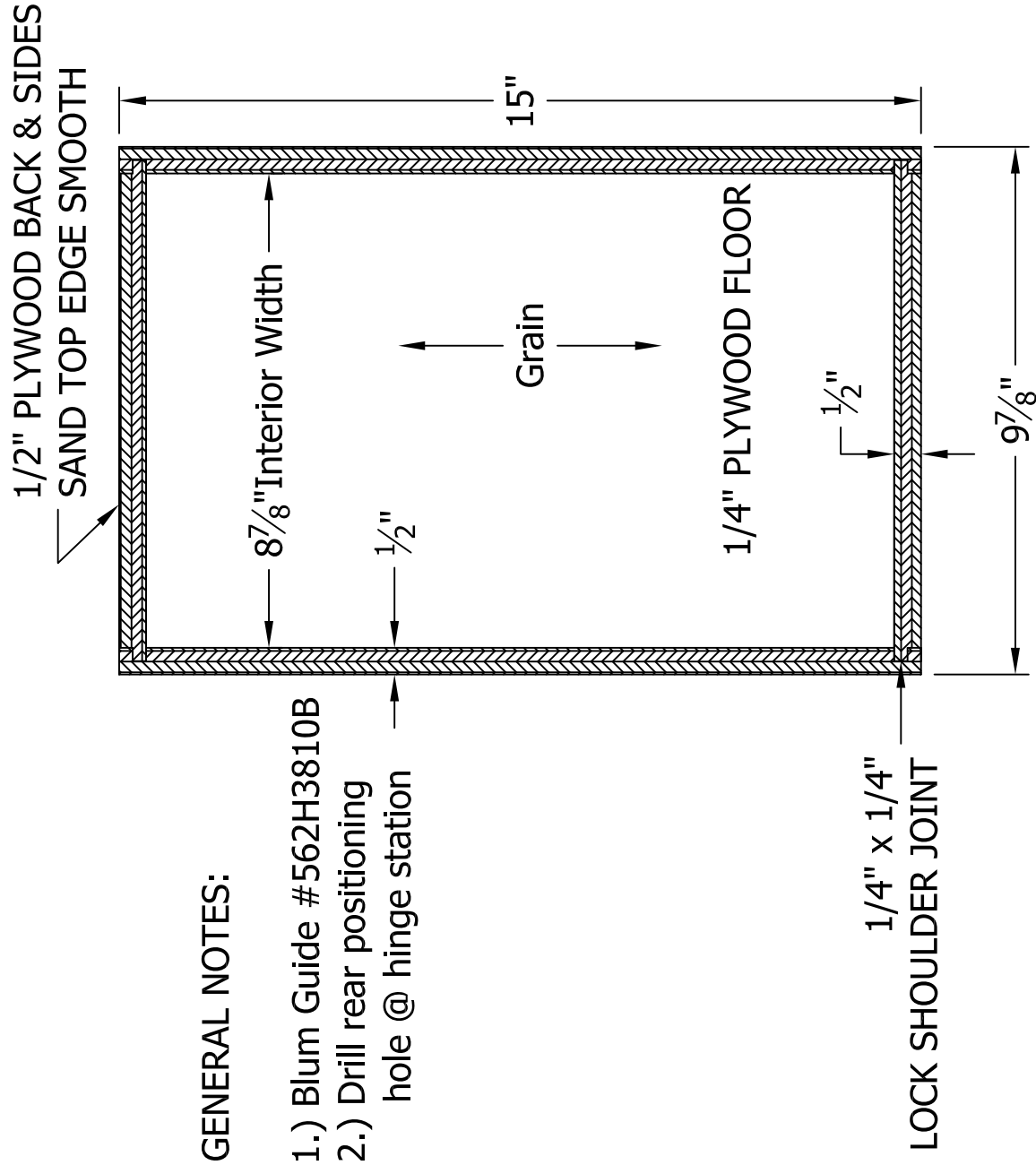


2010 SkillsUSA

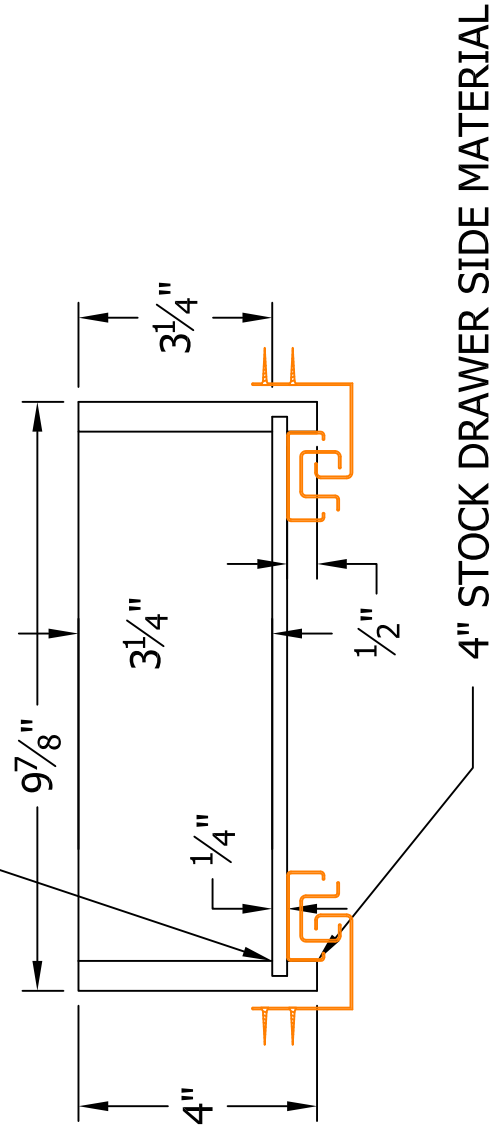
NATIONAL CONTEST	
DATE: JUNE 24, 2010	SHEET NO: 5
DRAWN BY: RKG	SCALE: 3"=1'-0"
TITLE: COUNTER TOP DETAILS	

GENERAL NOTES:

- 1.) Blum Guide #562H3810B
- 2.) Drill rear positioning hole @ hinge station



1/4" x 1/4" DADO SLOT
CAPTIVE ON FRONT AND SIDES



DRAWER BOX DETAIL

1

3" = 1'-0"



AWI
ARCHITECTURAL
WOODWORK
INSTITUTE

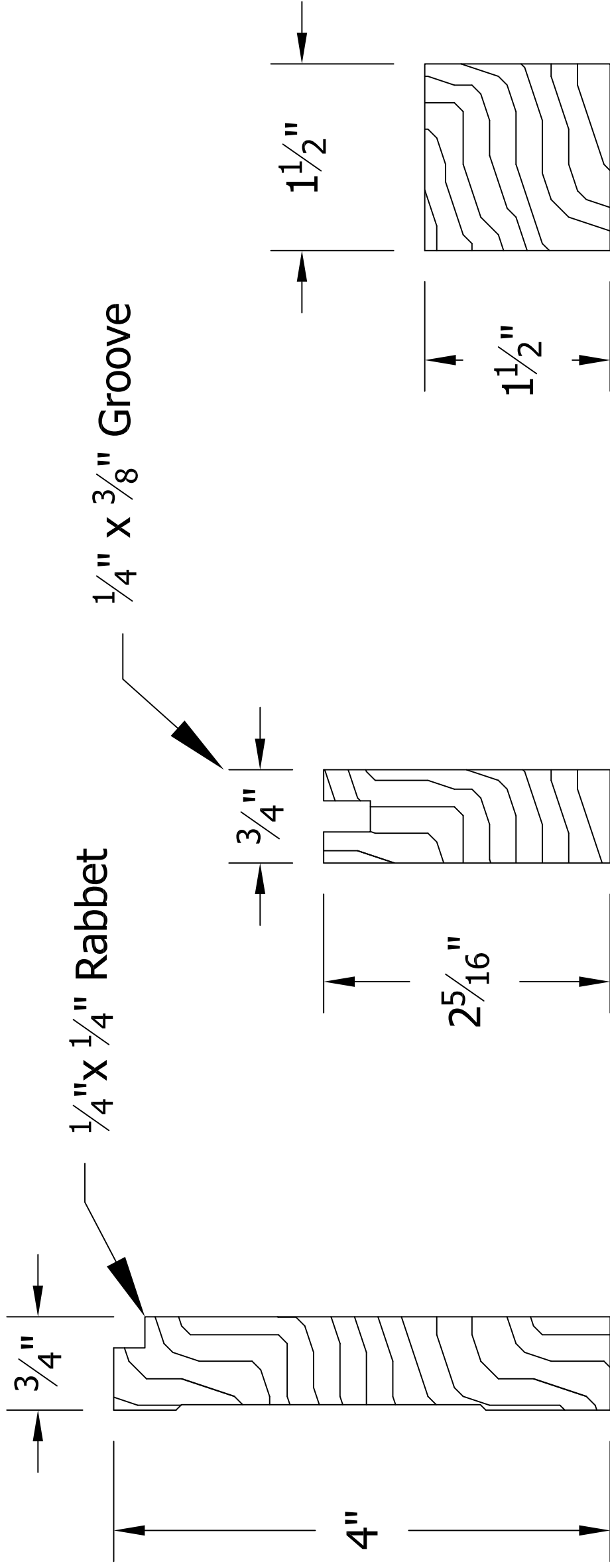
2010 SkillsUSA

NATIONAL CONTEST

DATE: JUNE 24, 2010 SHEET NO: 6

DRAWN BY: RKG SCALE: 3"=1'-0"

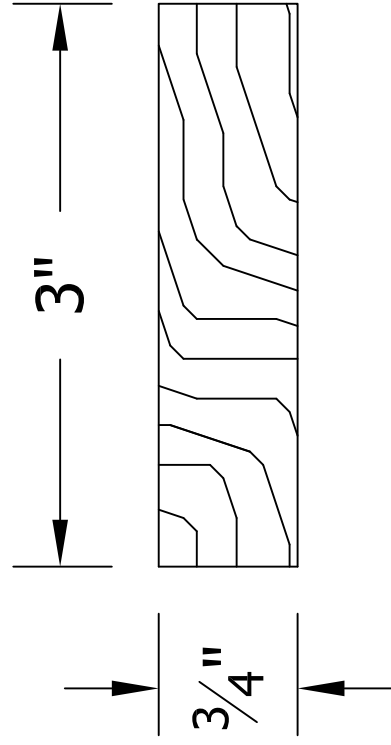
TITLE: DRAWER BOX DETAILS



1 BASE BOARD
FULL SIZE

2 DOOR & DRW FRONT FRAME STOCK
FULL SIZE

3 "X" LEG STOCK LUMBER
FULL SIZE



4 "X" LEG TOP & BOTTOM PLATES & STRONGBACK
FULL SIZE

2010 SkillsUSA

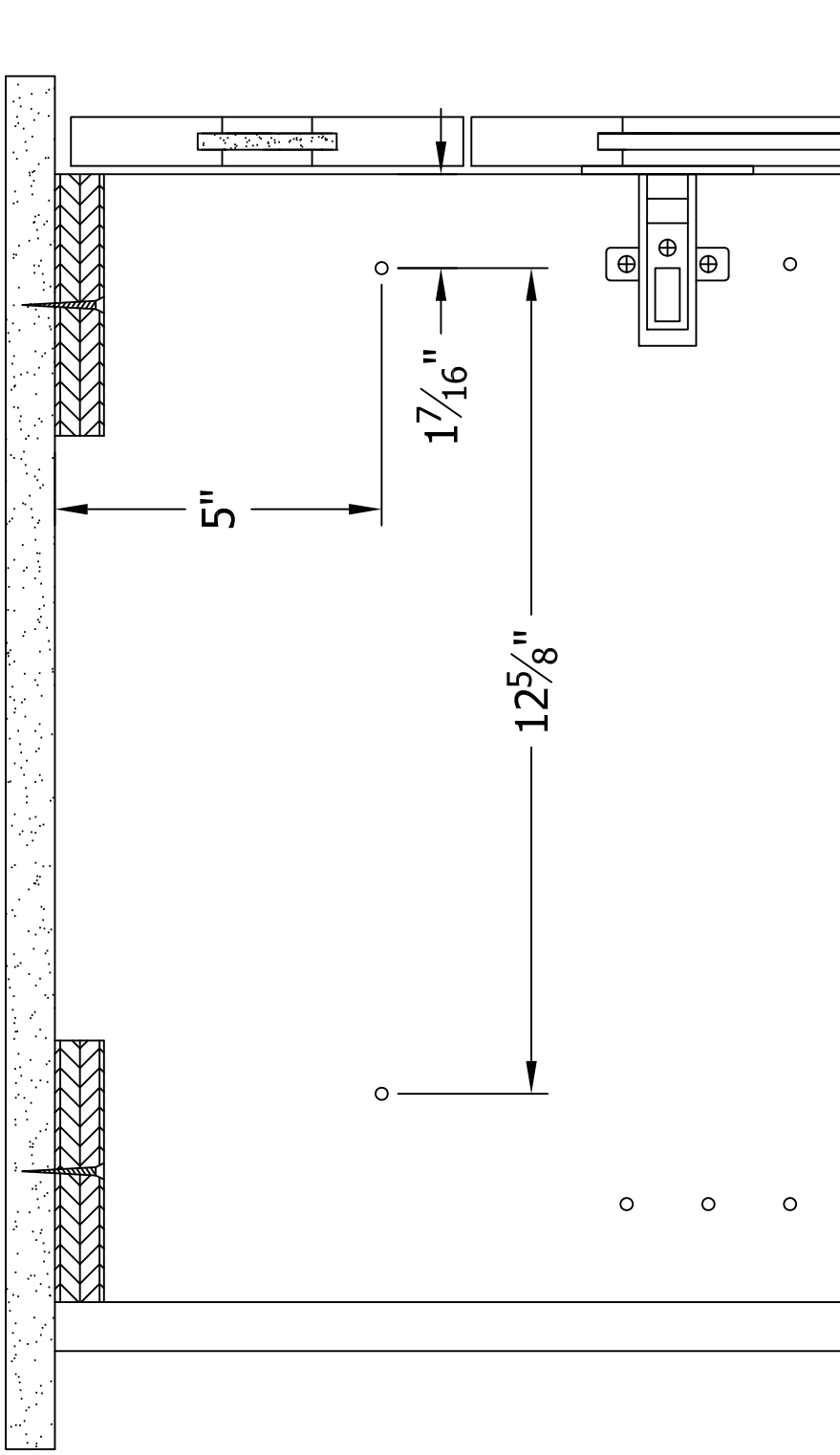
NATIONAL CONTEST

DATE: JUNE 24, 2010 SHEET NO: 7

DRAWN BY: RKG SCALE: 6"=1'-0"

TITLE: DOOR AND TRIM DETAIL





RIGHT END PANEL DETAIL

NA

GENERAL NOTES:

- 1.) Locate front hole for drawer guide - bottom row, 4th hole back.

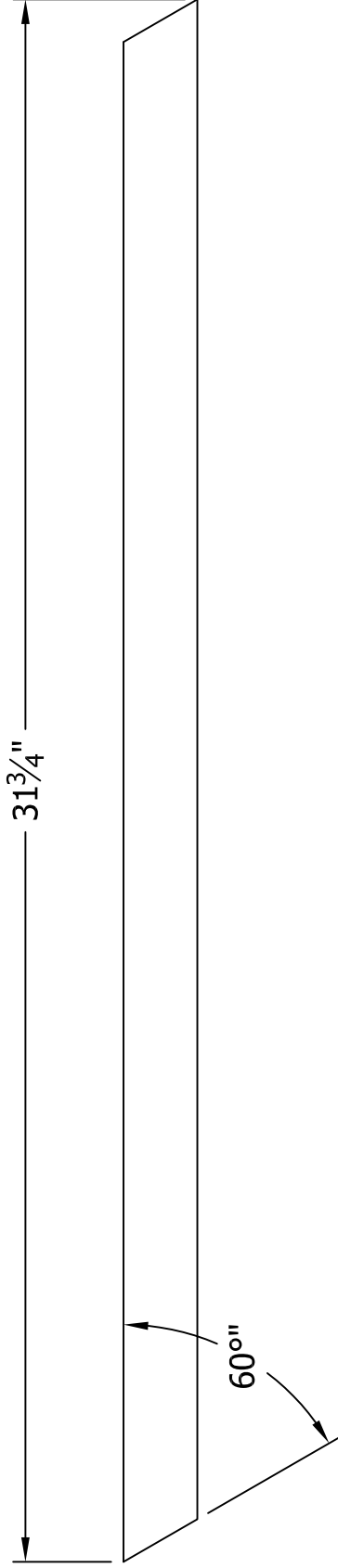
2010 SkillsUSA

NATIONAL CONTEST

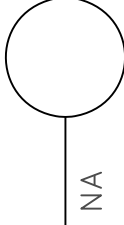
DATE: JUNE 24, 2010 SUPPLEMENT

DRAWN BY: RKG SCALE: NA

TITLE: DRAWER GUIDE LOCATION



X LEG DETAIL



NA

2010 SkillsUSA

NATIONAL CONTEST

DATE: JUNE 24, 2010 SUPPLEMENT

DRAWN BY: RKG SCALE: NA

TITLE: X LEG DETAIL