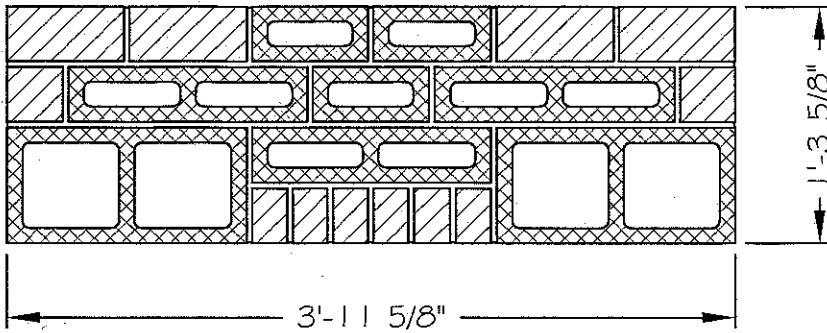


SkillsUSA

2010 Contest Projects

Masonry

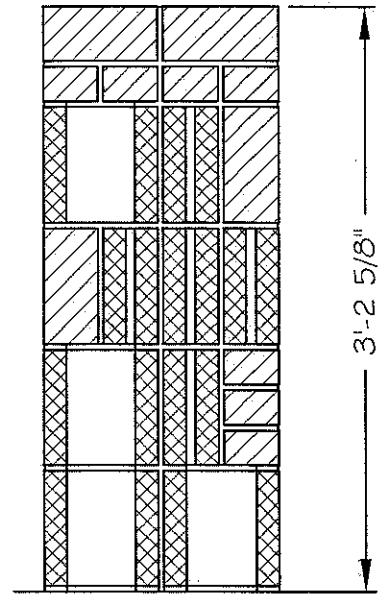
Click the “Print this Section” button above to automatically print the specifications for this contest. Make sure your printer is turned on before pressing the button.



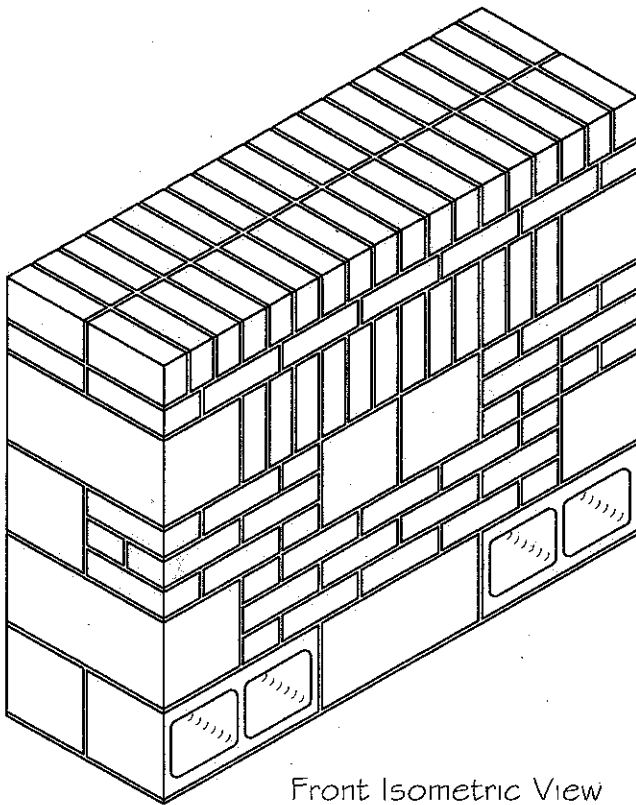
Plan

Materials:

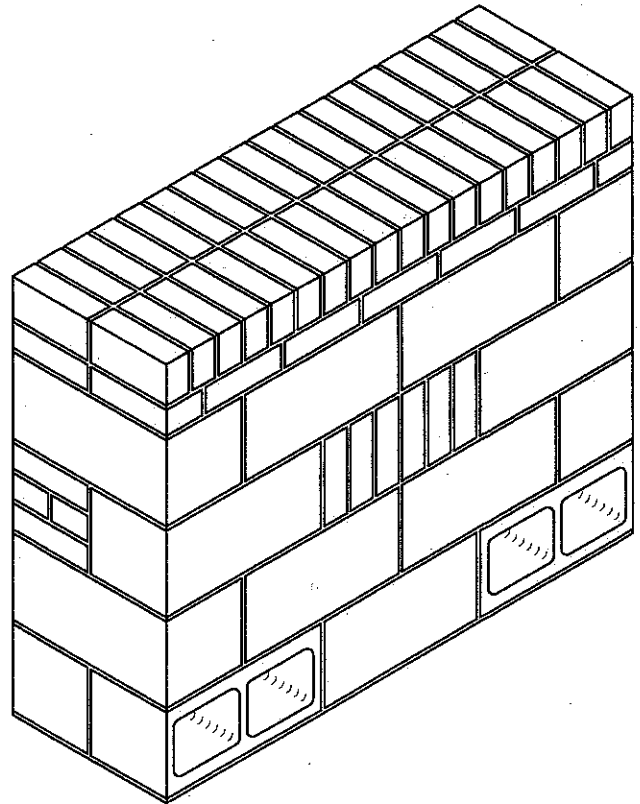
- 16 - 8" CMU
- 7 - 4" CMU
- 3 - 4" CMU Halves
- 101 - Modular Brick
- 4 - Uncored Modular Brick



Section



Front Isometric View



Back Isometric View