

SkillsUSA

2010 Contest Projects

Plumbing

Click the “Print this Section” button above to automatically print the specifications for this contest. Make sure your printer is turned on before pressing the button.

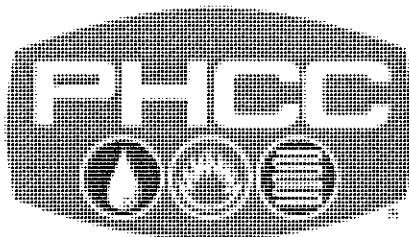
2010 SkillsUSA Championships

RESIDENTIAL PLUMBING

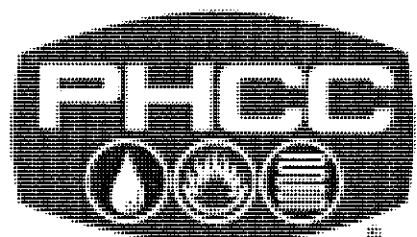


This information has been produced, compiled, and printed by the PHCC Educational Foundation with the guidance of the SkillsUSA Residential Plumbing Technical Committee.

CONTESTANT'S BOOK



PLUMBING-HEATING-COOLING
CONTRACTORS ASSOCIATION

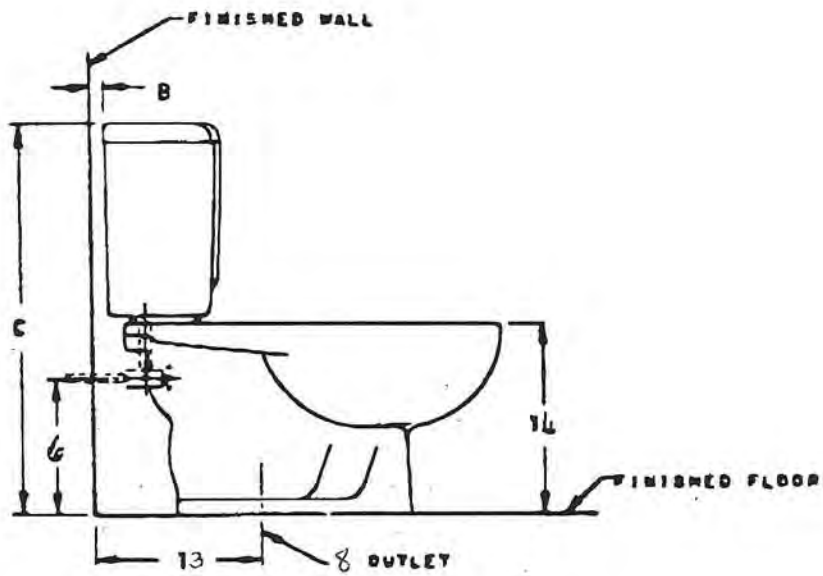
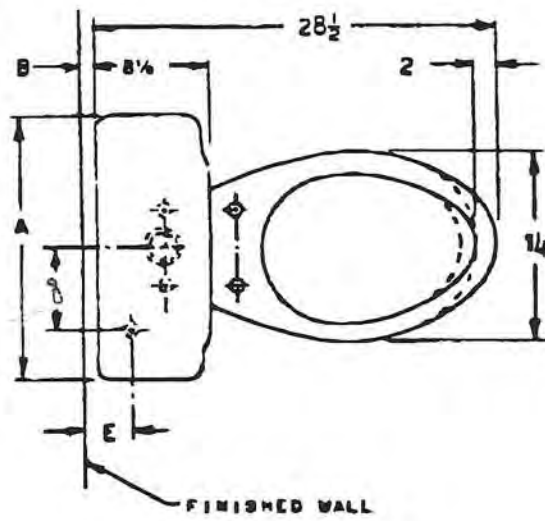


EDUCATIONAL FOUNDATION

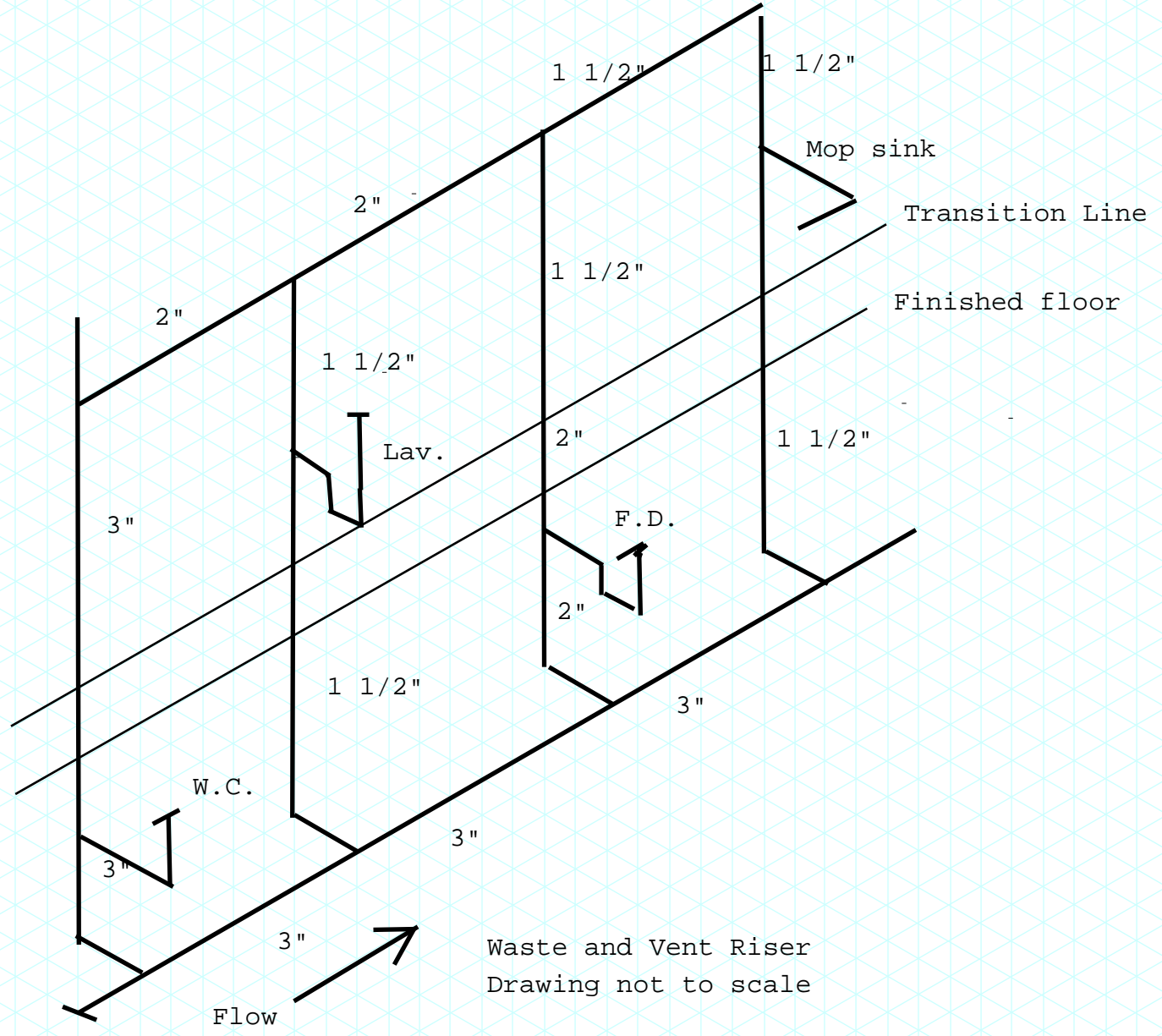
**Contest Material Requirements
2010 Skills USA Competition**

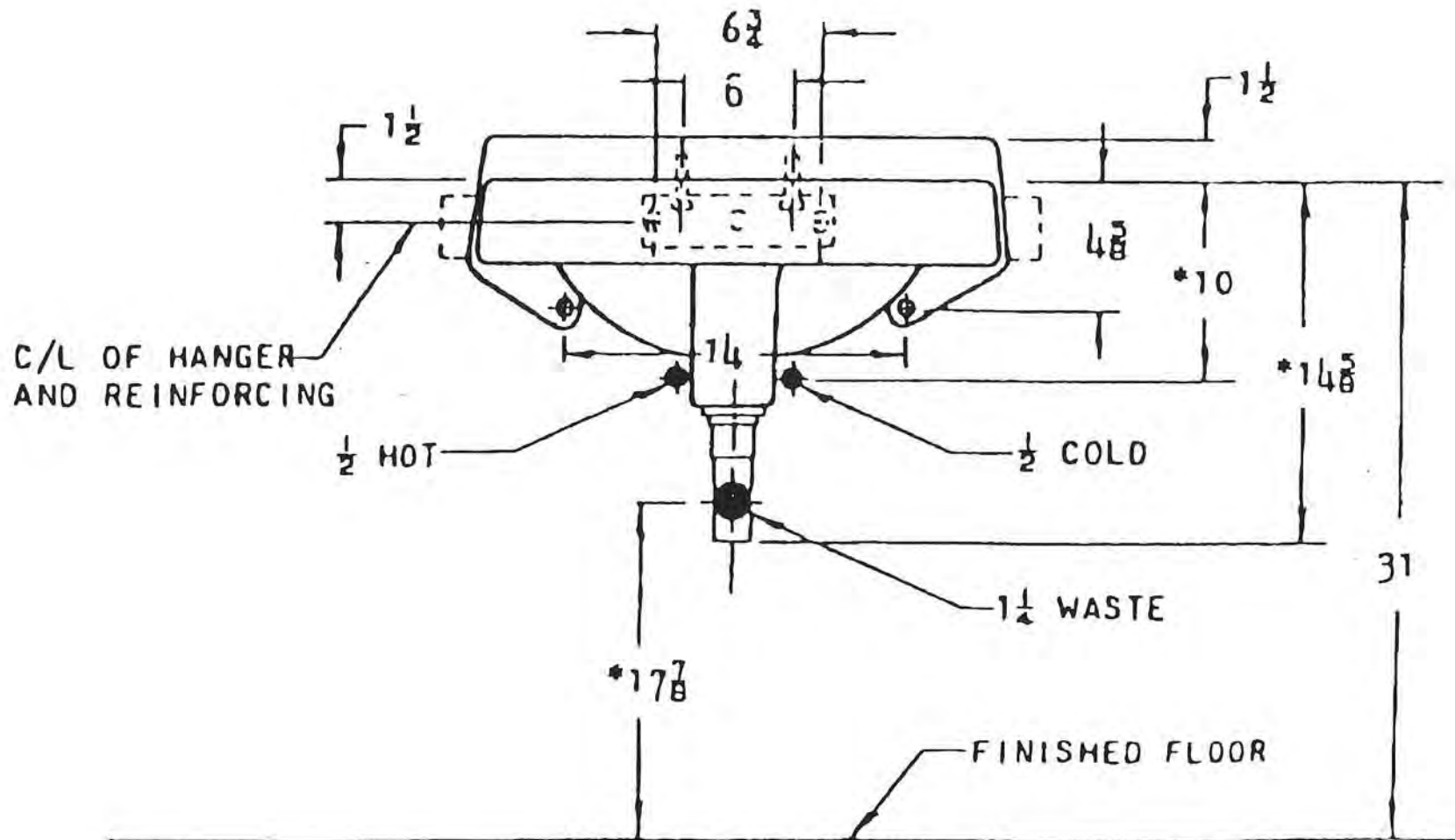
Qty	Description
No-Hub Cast Iron Material	
2	3" x 1-1/2" No-Hub Combo
1	3" x 2" No-Hub Combo
1	3" x No-Hub Combo
1	3" No-Hub Cleanout w/plug
1	3" No-Hub Sanitary Tee
1	3" No-Hub 90° Ell
1	3" No-Hub Floor Flange
1	2" No-Hub Sanitary Tee
1	2" No-Hub P-trap
15	3" No-Hub Bands
7	2" No-Hub Bands
2	1-1/2" No-Hub Bands
1	2" x 1-1/2" No-Hub Band
1	3" NH x PVC Transition Coupling
1	2" x 1-1/2" NH x PVC Transition Coupling
2	1-1/2" NH x PVC Transition Coupling
1	2" NH x PVC Transition Coupling
10 ft	3" Cast Iron Pipe
5 ft	2" Cast Iron Pipe
10 ft	1-1/2" Cast Iron Pipe
PVC Material	
1	3" x 2" PVC Sanitary Tee
2	1-1/2" PVC Sanitary Tee
1	1-1/2" PVC Fit Trap Adaptor
1	2" x 2" x 1-1/2" PVC Sanitary Tee
1	2" x 1-1/2" x 1-1/2" PVC Sanitary Tee
2	1-1/2" PVC 90° Ell
1	2" PVC No-Hub Floor Drain
1	1-1/2" PVC Test Cap
5 ft	3" PVC Pipe
5 ft	2" PVC Pipe
20 ft	1-1/2" PVC Pipe
Copper Material	
2	3/4" x 1/2" x 1/2" Copper Tee
12	1/2" Copper 90° Ell
1	3/4" x 3/4" x 1/2" Copper Tee
2	3/4" Copper 90° Ell
1	3/4" x 3/4" x FIP Copper Tee
2	1/2" Copper Caps
1	1/2" Copper Street 90° Ell
8	1/2" Copper 2-Hole Straps
8	3/4" Copper 2-Hole Straps
20 ft	1/2" Copper Tube Type M
10 ft	3/4" Copper Tube Type M

Qty	Description
Miscellaneous Material	
1	1lb Roll No-Lead Solder
1	Small Container ASTM B813 Flushable Flux w/Brush
1	Small Roll of Plumbers Cloth
1	Roll of Teflon Tape
1	Pint of Purple PVC Cleaner
1	Pint of PVC Cement
4	3" Clevis Hangers
4	Side Beam Hangers
9	3/8" Hex Nuts
9	3/8" Flat Washers
8 ft	3/8" All-Thread Rod
1	3" Riser Clamps
1	2" Riser Clamps
2	1-1/2" Riser Clamps
4	#12 x 1" Phillipshead Screws
6	#12 x 1-1/4" Pan-Head Screws
8	#12 x 1" Pan-Head Screws
Fixtures & Accessories	
1	1-1/2" PVC Tubular P-Trap
3	1/2" x 3/8" Sweat x Compression Chrome Angle Stops
2	3/8" Chrome Lavatory Risers
1	China Lavatory Sink
1	4" Center Set Faucet with Pop-Up
2	3/8" x 3/8" Compression x Compression Couplings
1	1-1/2" x 1-1/4" Slip Nut Washer
5	622-M08 - 1/2" x 8" Bullet Stub Out
2	522-16245 - Universal Slider bracket (19" span)
1	521-6415 - Stub out Brackets



CLOSET ROUGH-IN



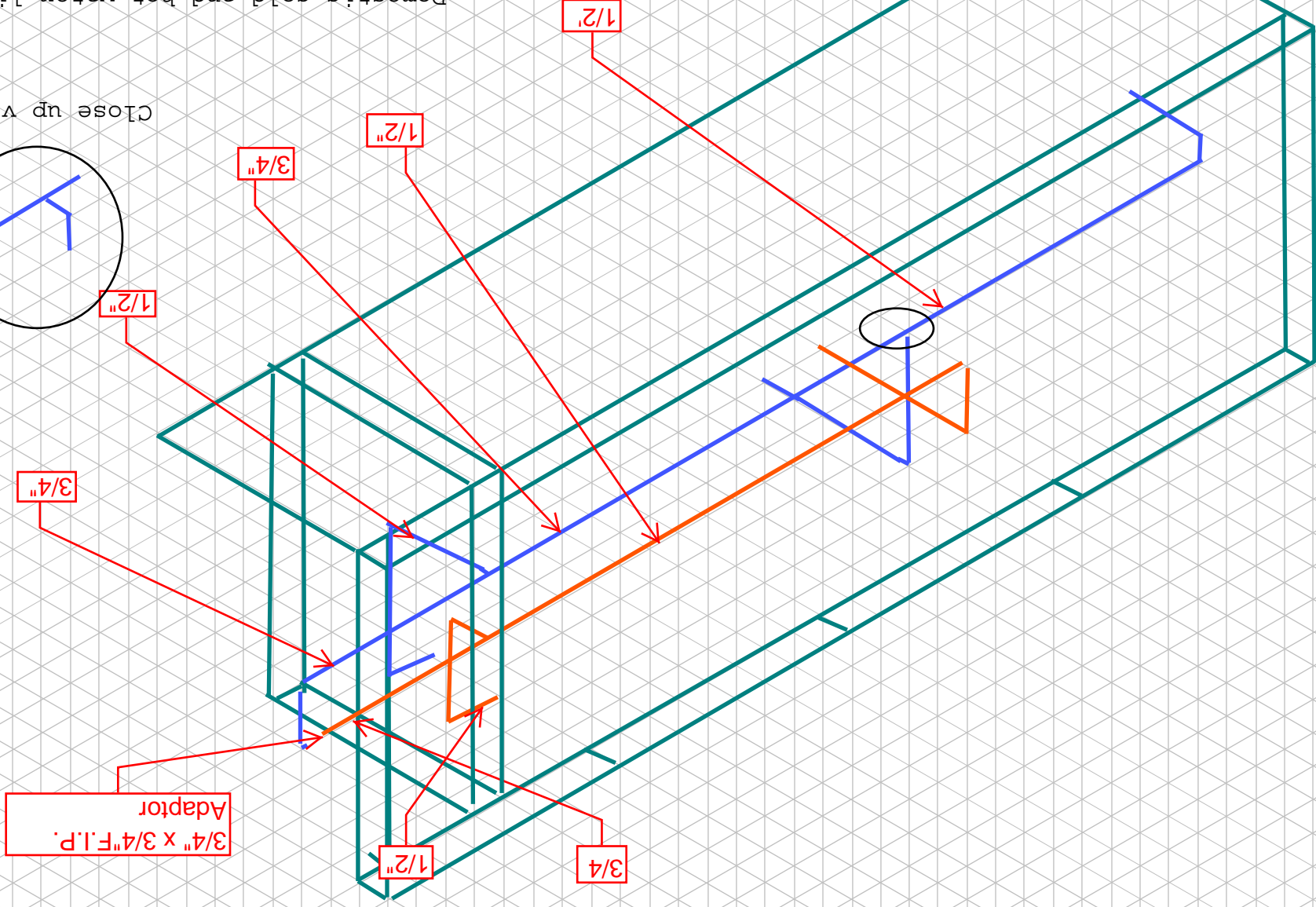
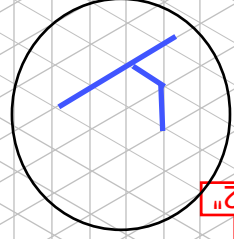


LAVATORY ROUGH-IN

Domestic cold and hot water lines
Drawing not to scale

2010

Close up view



UTILITY TRAY ROUGH-IN

